

Nxtwall Installation Instruction

Installation Scenario:

View Series 90° Seamless Corner

- This guide covers how to install the framing and glass for this scenario.

Nxtwall Components Covered by this Instruction:

- View Wall-Start
- View Track
- View Guide
- View L-Bracket
- 90° View Guide Joiner
- 90° View Track Joiner
- Leveling Bolts
- Track Glass Channel
- Wall-Start Glass Channel

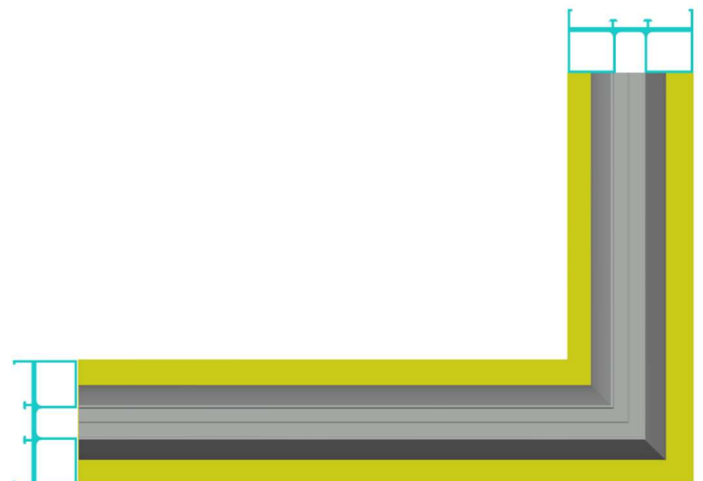
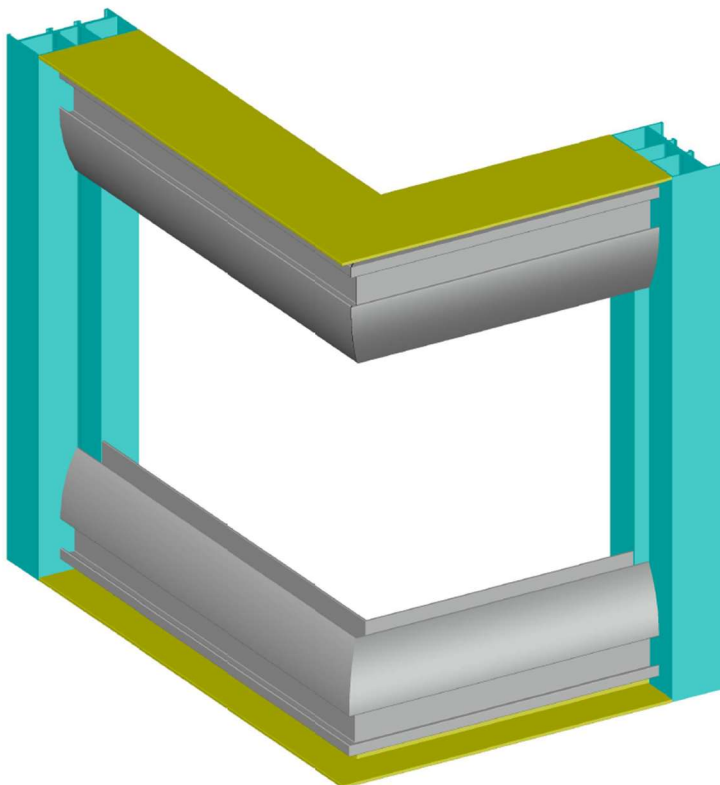
Recommended Installation Tools:

- Miter Saw
- Laser Level (or Level)
- Tape Measure
- Impact Driver and/or Drill
- Nylon Mallet/Rubber Mallet
- Phillips Screwdriver
- Utility Knife
- Hammer Drill
- External Attaching Hardware
 - Note: Nxtwall does not include external attaching hardware.
- Glass Suction Cup

90° Seamless Corner Defined

A 90° Seamless Corner in the View Series is when two pieces of glass come together to create a 90° corner without the use of a Flex Post. The View Track and Guide are cut to create a 90° corner. Fig. 1.

Fig. 1



Nxtwall Installation Instruction

90° Seamless Corner Defined

On the drawing the 90° Seamless Corner is shown by two glass partitions coming together to create a 90° corner. Fig. 2.

Installation Procedure

1. Layout and mark the location of the Seamless Corner.
2. Install the View Wall-Starts.
 - a. The View Wall-Starts will install floor to ceiling and will be attached to the existing wall.
3. Four pieces of View Track and View Guide are needed to create the Seamless Corner.
 - a. Two for the floor and ceiling on one side. Two for the floor and ceiling on the other side.
4. Cut one end of each View Track and View Guide on a 45° angle. Fig. 3.
 - a. The View Track and Guide can be cut together.
 - b. Make sure the angle is cut correctly to create the 90° corner.
5. Starting on one side of the corner determine the length of View Track and View Guide needed.
 - a. This measurement will be from the Wall-Start to the corner.
6. Cut the View Track and View Guide to the length needed.
 - a. Measure from the long point of the angle to the measurement taken and cut the end square.

Fig. 2

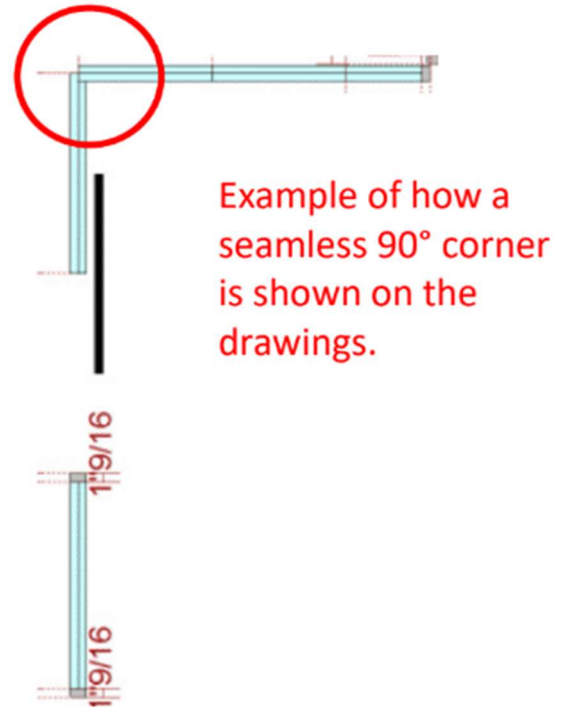
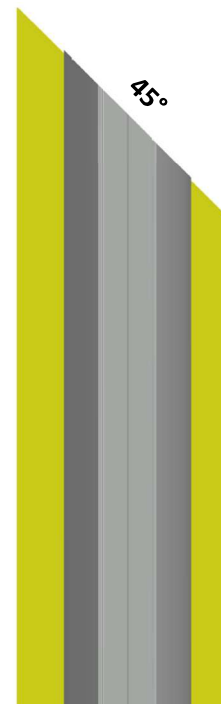


Fig. 3



Nxtwall Installation Instruction

7. Separate the View Track from the View Guide. Fig. 4.
8. Slide the Leveling Bolts into the View Guide. Fig. 5.
 - a. Include at least two Leveling Bolts in the View Guide. On longer lengths install Leveling Bolts every 3'- 4'.
9. On the angled cut side of the View Guide slide in the 90° View Guide Joiner. Fig. 6 and 7.
 - a. The purpose of the View Guide Joiner is to create a tight fit between the two pieces of View Guide once they come together.

Fig. 4

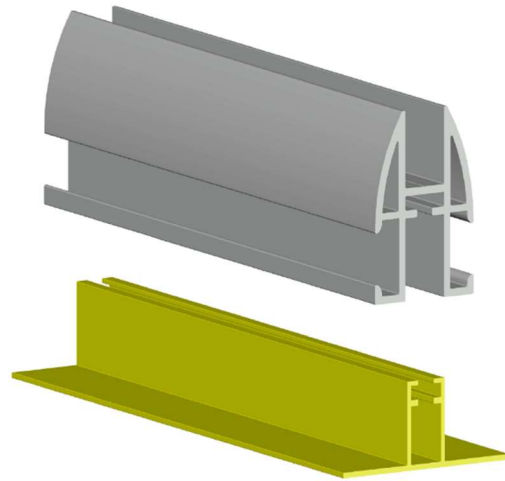


Fig. 5

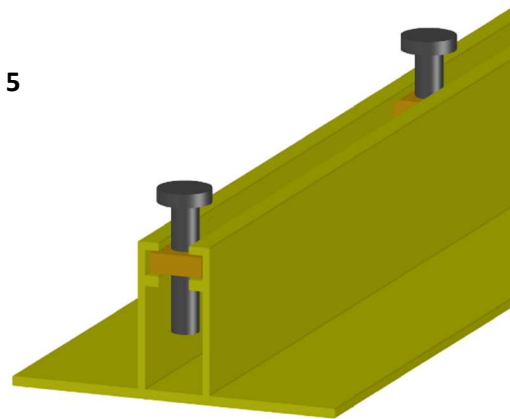
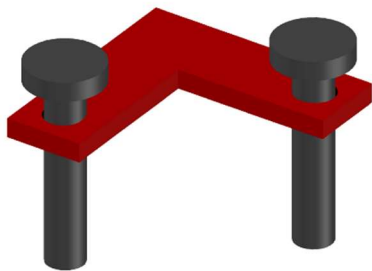
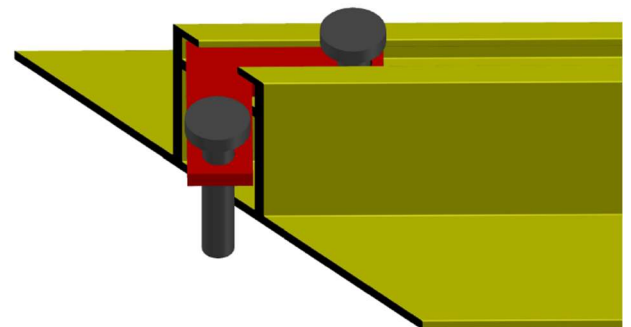
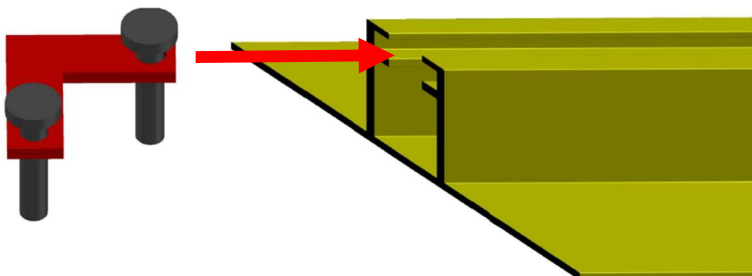


Fig. 6



90° View Guide Joiner
(Install Leveling Bolts into Joiner)

Fig. 7



Nxtwall Installation Instruction

10. Temporarily attach the View Guide to the floor and the ceiling at the pre-determined layout locations.
 - a. The View Guide at the floor and ceiling MUST align with each other. Fig. 8 and 9.
11. Measure for the View Track and Guide at the floor and ceiling for the other side of the corner.
 - a. Measurement will be from the corner to the Wall-Start. Fig. 10.

Fig. 8

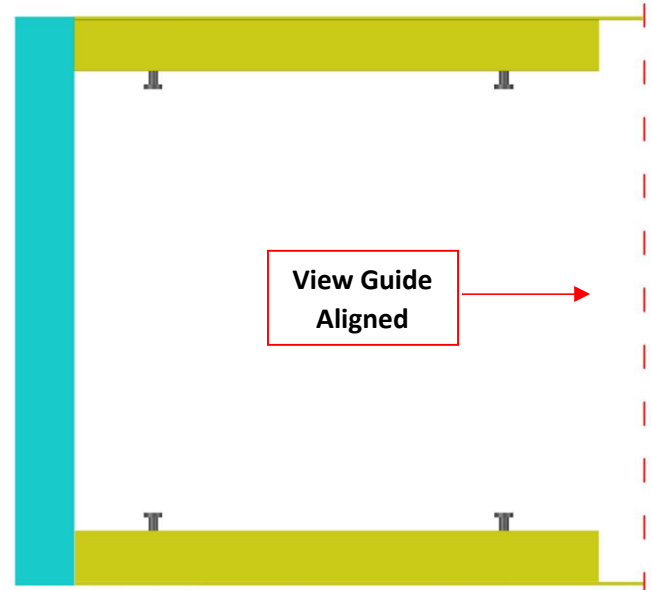
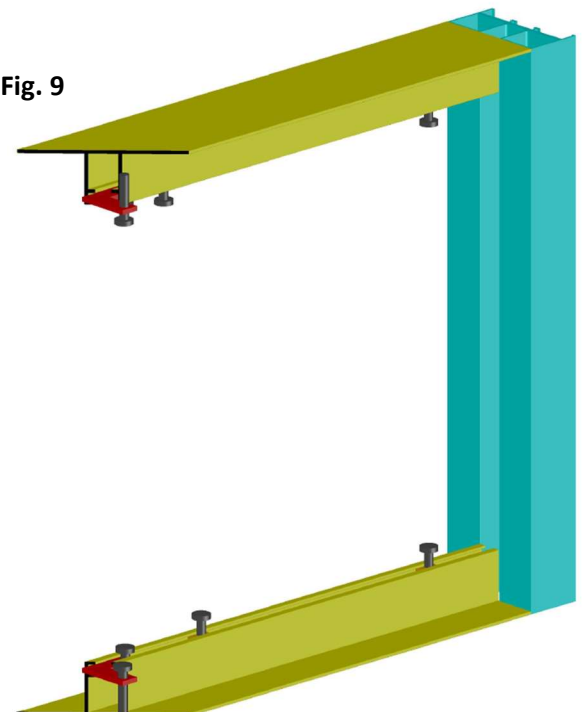


Fig. 10



Fig. 9



Nxtwall Installation Instruction

12. Cut the View Track and Guide to the length needed. Install Leveling Bolts.
13. Install the View Guide at the ceiling and the floor. Fig. 11.
 - a. Note: The View Guide already attached may need to be removed to allow the 90° View Guide Joiner to be installed into each piece of the View Guide.
14. Create a tight fit between each piece of View Guide and tighten the bolts in the 90° View Guide Joiner to lock the joint in place. Fig. 12.
15. Attach each piece of the View Guide to the ceiling and the floor. Make sure to include View L-Brackets at each section the View Guide intersects with the Wall-Starts.
 - a. For detailed information on how to properly attach the View Guide to the floor/ceiling and the View L-Brackets reference the “View Series Basic Framing” guide.

Fig. 11

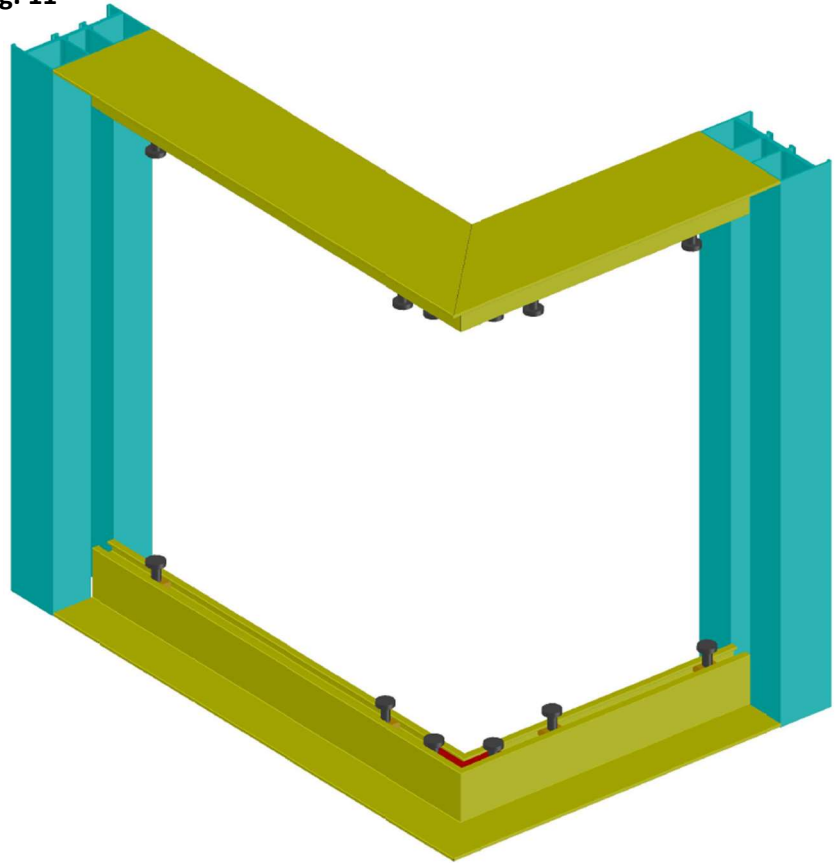
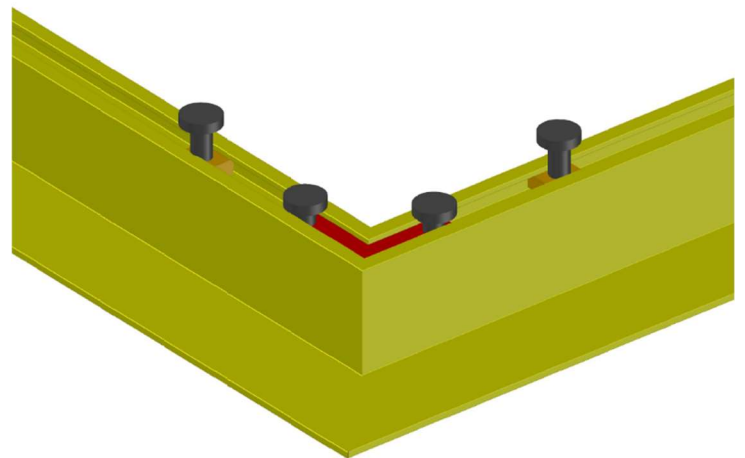


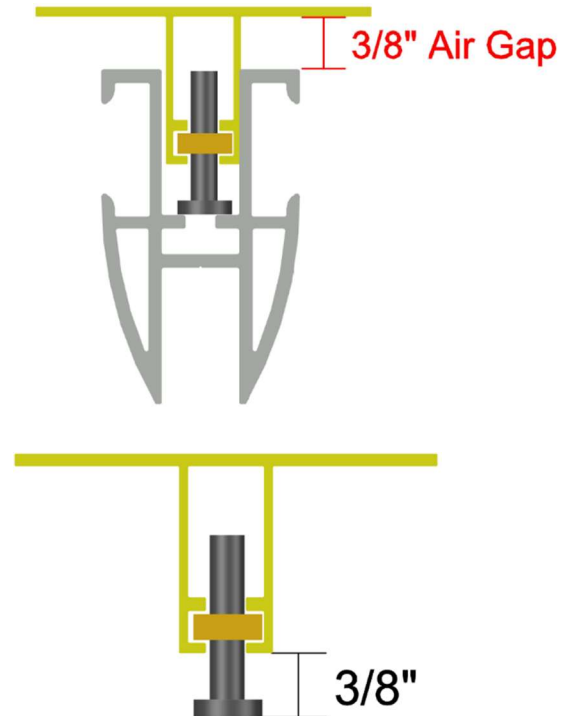
Fig. 12



Nxtwall Installation Instruction

16. **Important Step:** Adjust the Leveling Bolts in the View Guide. The Leveling Bolts must be level with each other on each side of the corner.
- The purpose of the Leveling Bolts is to level the View Track. This is important to ensure the opening for the glass is square.
 - When the View Track is installed there must be a minimum 3/8" Air Gap between the View Track and View Guide. Fig. 13.
 - To achieve this, set the first leveling bolt at 3/8" to the top of the bolt on the door opening side. Fig. 13.
 - Adjust the remaining Leveling Bolts to be level with the initial Leveling Bolt.
 - Set up a laser level to properly adjust the Leveling Bolts. If a laser is not available a normal level can be used. Fig. 14.

Fig. 13



****Repeat at the Floor****

Fig. 14



Nxtwall Installation Instruction

17. Prep the View Track attaching to the ceiling. Fig. 15.
 - a. Pre-drill 1/4" holes for the attaching screws. Include at least two holes. For longer lengths drill holes every 3' – 4'.
18. On one side of the corner align the angled cut ends of the View Track and View Guide. Fig. 16.
19. Attach the View Track to the View Guide using 4" attaching screws.

Fig. 15

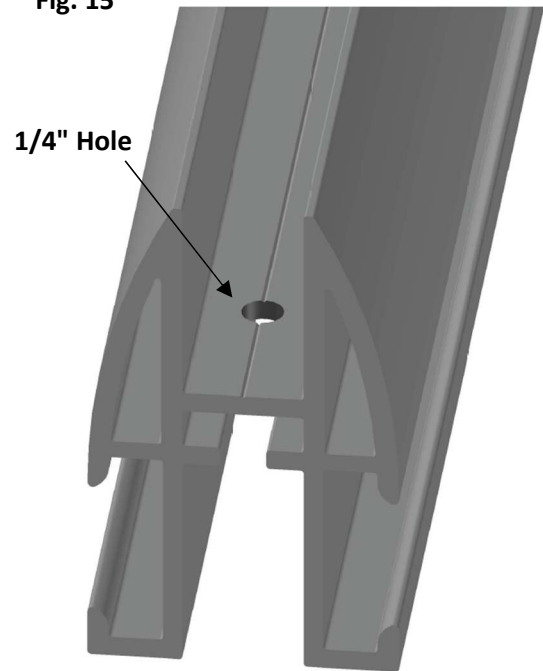
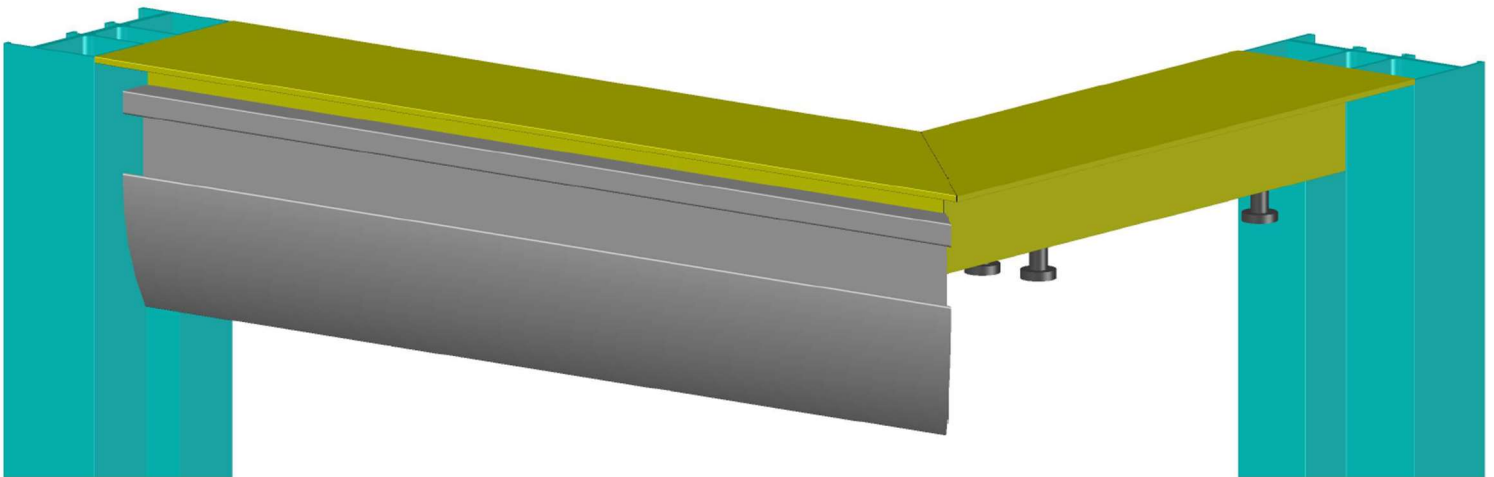


Fig. 16



Nxtwall Installation Instruction

20. Place the View Track onto the View Guide at the ceiling creating a tight fit between each piece of View Track at the corner. Fig. 17.
21. Attach the View Track to the View Guide using 4" attaching screws.
 - a. Make sure to maintain the tight fit at the corner.
22. Place the 90° View Track Joiner into the View Track. Attach using 2 – 5/8" Framing Screws. Fig. 18.
 - a. The purpose of the 90° View Track Joiner is to maintain a tight fit between the two pieces of View Track once they come together.

Fig. 18

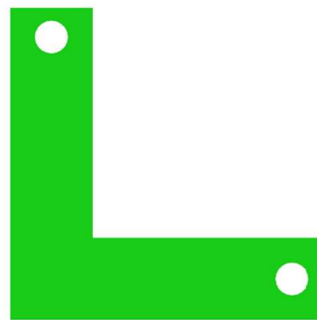
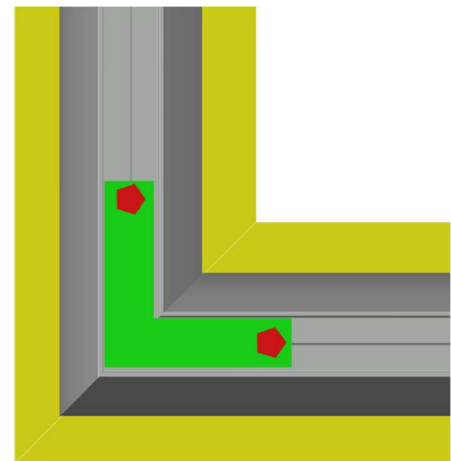
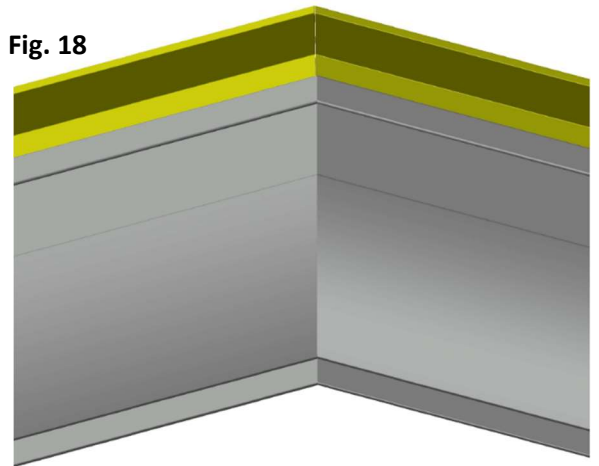
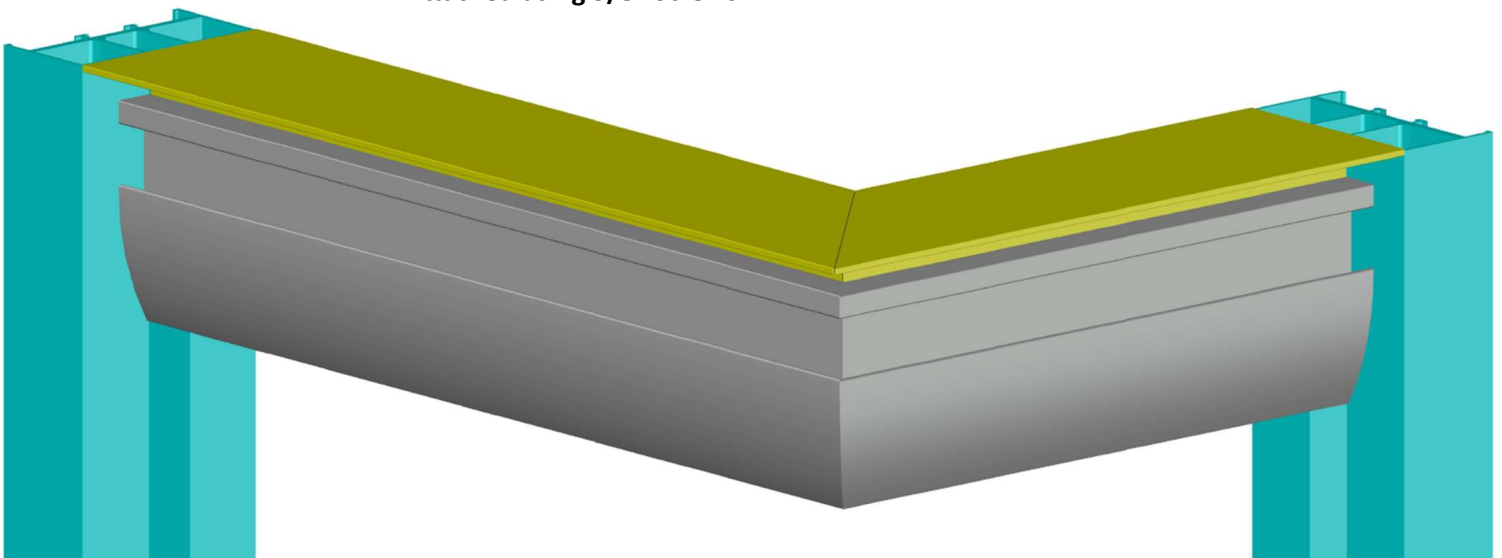


Fig. 17

90° View Track Joiner

****Attached using 5/8" Screws****



Nxtwall Installation Instruction

23. Repeat the View Track installation on the floor. Fig. 19.

- a. Note: The View Track will rest on the Leveling Bolts, it will not be attached.

24. Once the angled pieces of View Track are tight together install the 90° View Track Joiner. Fig. 20.

Fig. 20

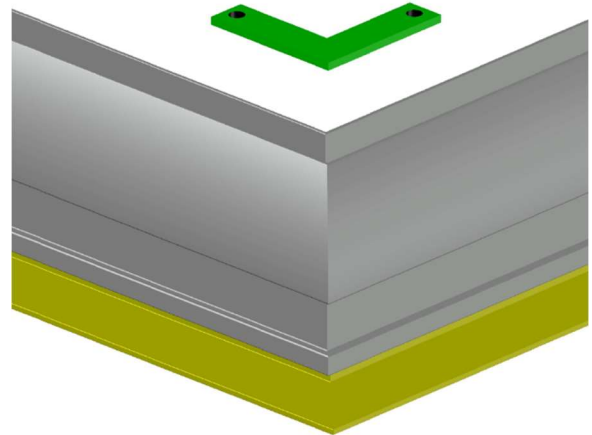
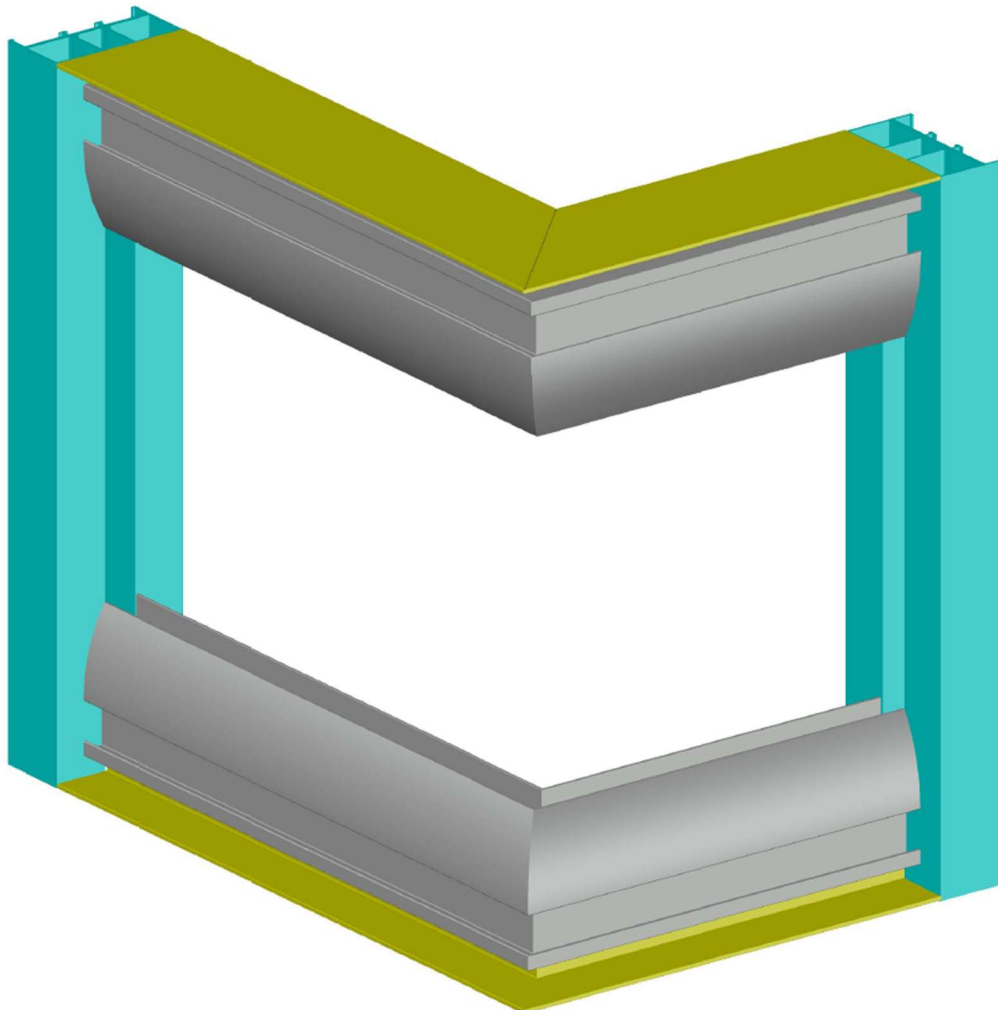


Fig. 19



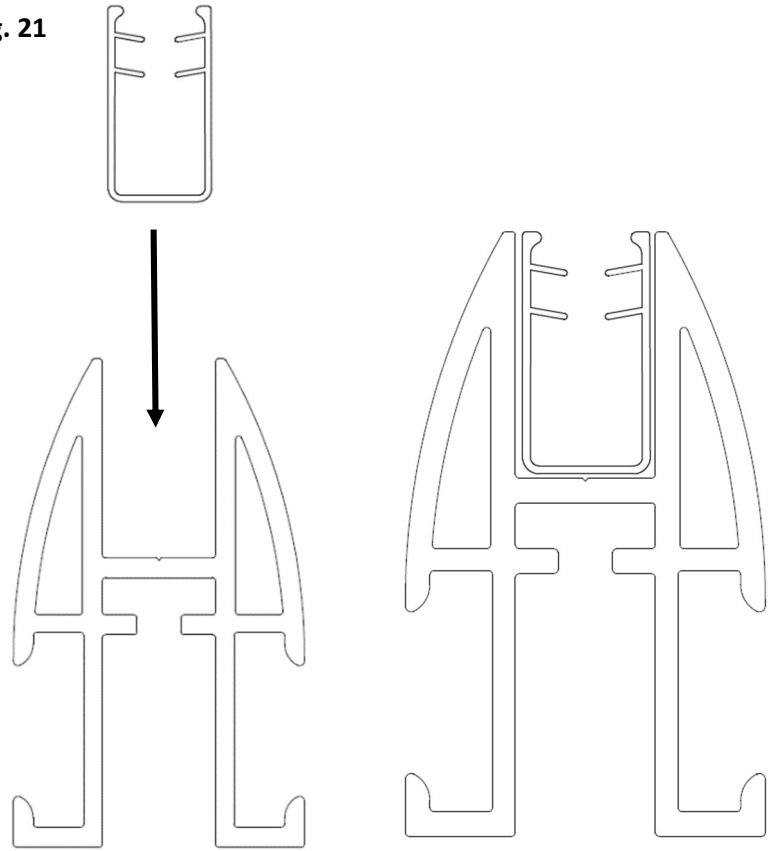
Nxtwall Installation Instruction

Glass Channel Installation

For 90 Seamless Corners both the View Track Glass Channel and the View Wall-Start Glass Channel profiles will be used.

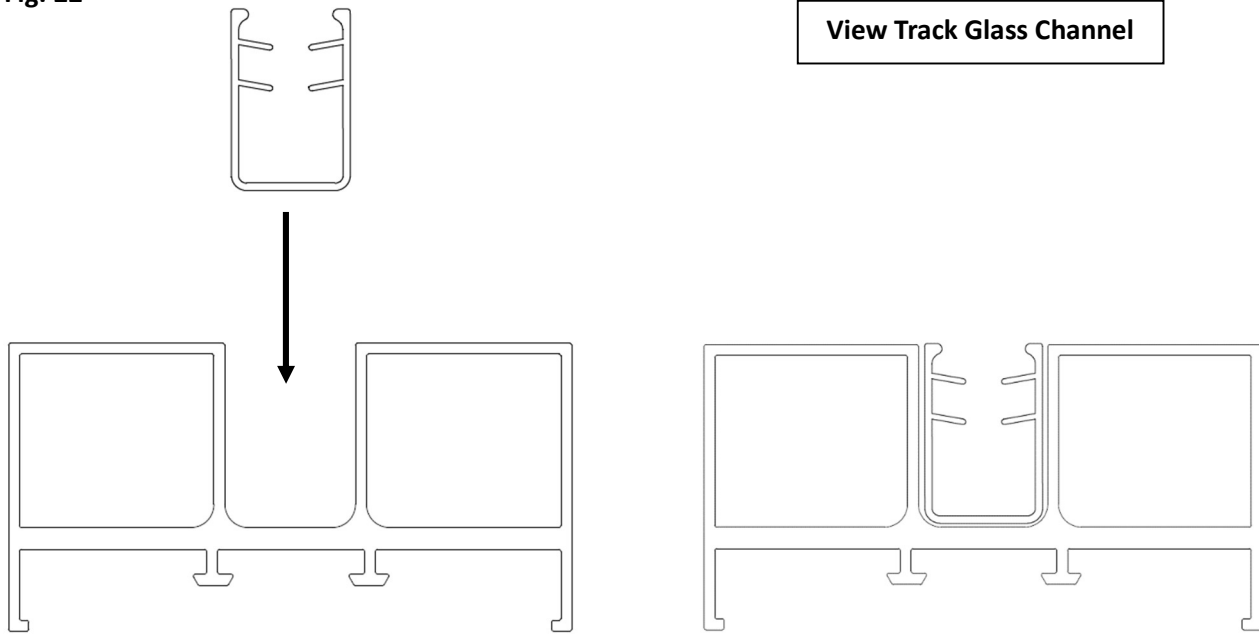
- View Track Glass Channel Fig. 21
- View Wall-Start Glass Channel Fig. 22
 - o To differentiate the two different profiles “WALL-START” is printed on the side of the Wall-Start Glass Channel.

Fig. 21



View Track Glass Channel

Fig. 22



View Wall-Start Glass Channel

Glass Channel Installation: View Track

25. Measure for the View Track Glass Channel at the ceiling. Fig. 23.

- a. Piece #1: Measure from the Wall-Start to the longest point of the angle and add 3/4".
- b. Piece #2: Measure from the Wall-Start to the shortest point of the angle and add 3/4".
- c. On the Wall-Start side the Glass Channel will be inside the Wall-Start.

26. At the corner, Glass Channel Piece #1 will need to be notched the width of the View Track at the end to allow the glass to go past the Glass Channel once the glass is installed. Fig. 24.

27. Notch the Glass Channel for the attaching screw heads and the View Track Joiner.

28. Remove the backing tape and install the Glass Channel into the View Track. Use a long object to adhere the Glass Channel to the inside of the View Track.

Fig. 23

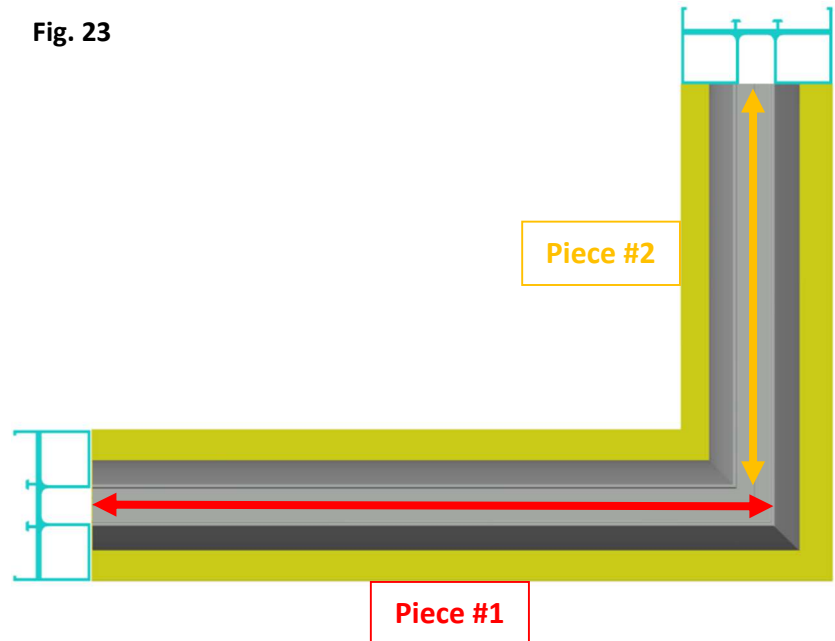
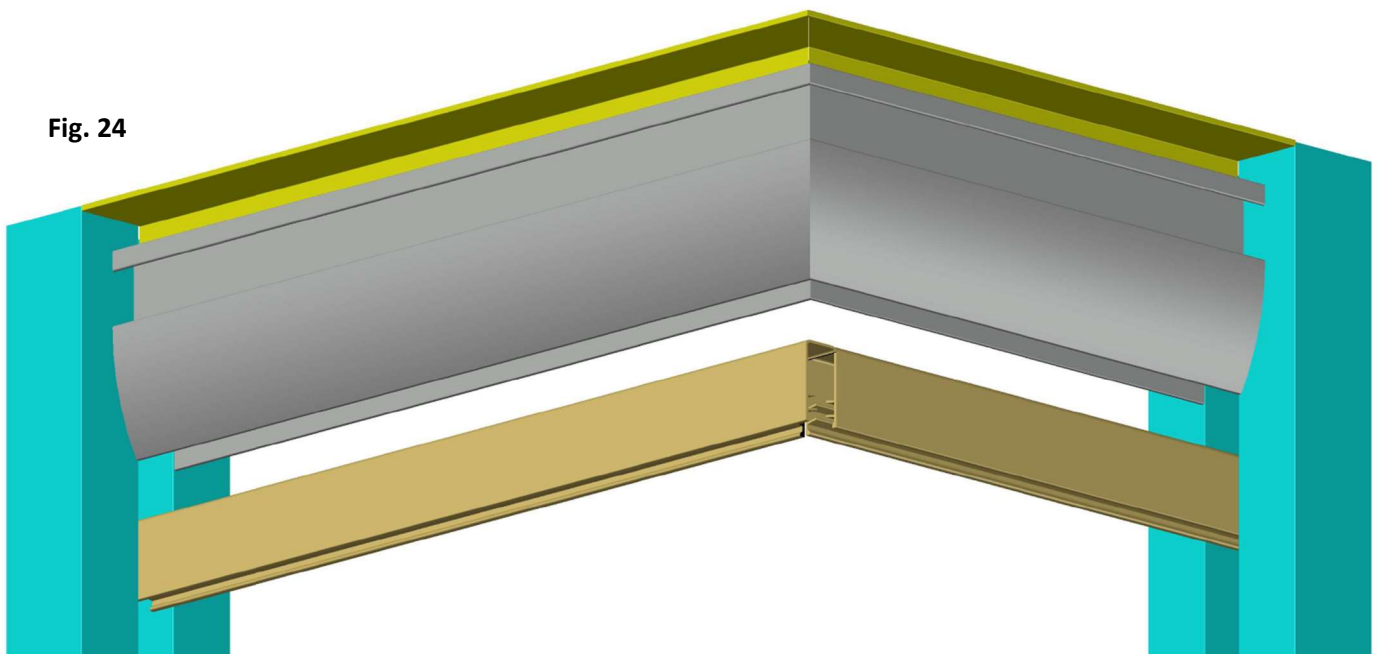
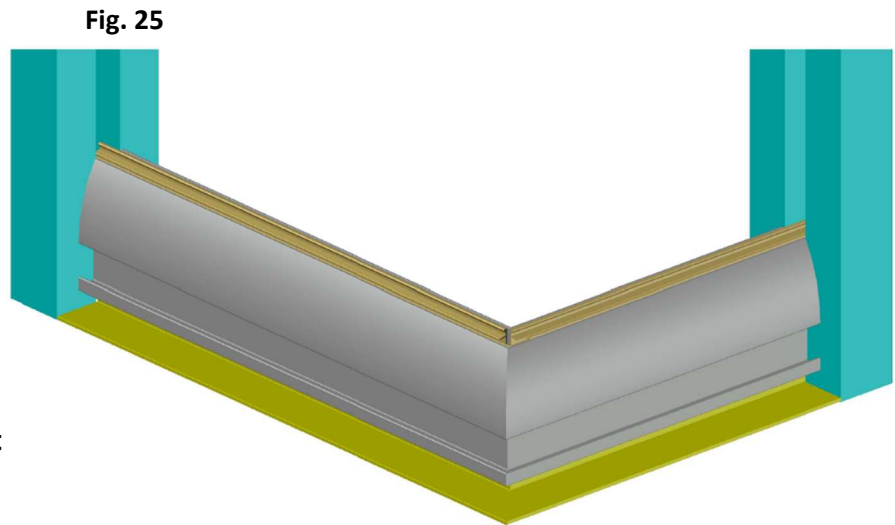


Fig. 24



Nxtwall Installation Instruction

29. Repeat steps 25-28 for measuring and installing the View Track Glass Channel at the floor. Fig. 25.



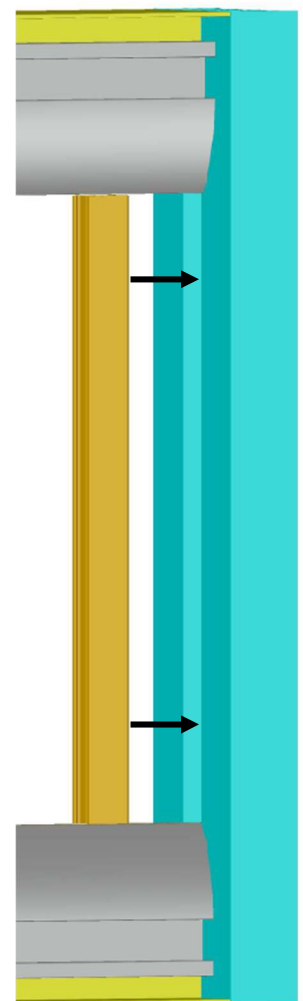
Glass Channel Installation: View Wall-Start

30. Measure for the Glass Channel for the Wall-Start. Measure from the View Track at the ceiling down to the View Track at the floor. This will be an exact measurement. Fig. 26.
31. Notch out the attaching screw locations on the Glass Channel.
32. Remove the backing tape from the Glass Channel and insert it into the Wall-Start in the proper location. Fig. 27.
- Use a long object to press the Glass Channel tight to the inside of the Wall-Start. This will adhere the backing tape to the inside of the View Track.
33. Repeat this process for the Wall-Start on the opposite side.
34. Wall-Start Glass Channel installation complete.

Fig. 26



Fig. 27



Glass Shim Installation

35. With the Glass Channel in place the shims for the glass panels can be installed.
- The shims are 1/2" W x 3/4" H. Fig. 28.
 - Use two shims per pane of glass. The shims need to be on each corner of the glass.
 - The shims will only be installed in the View Track on the Floor.
 - The shims can be cut in half if needed.
36. To install the shims press the shims into the Glass Channel/View Track. Fig. 29.
- Before installing the glass space the shims to ensure the shims are on each corner of the glass.

Fig. 28

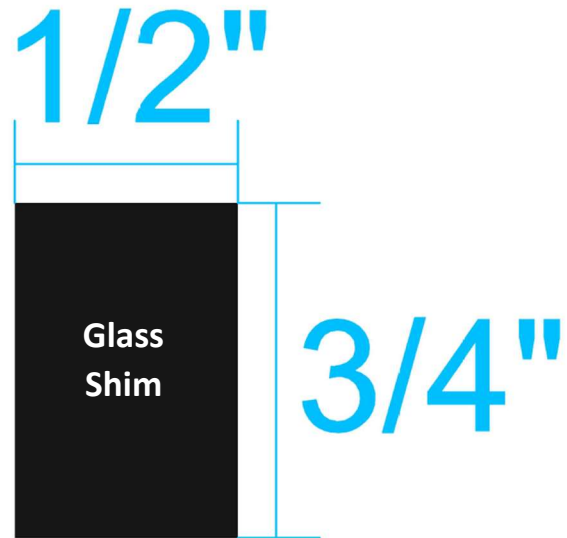
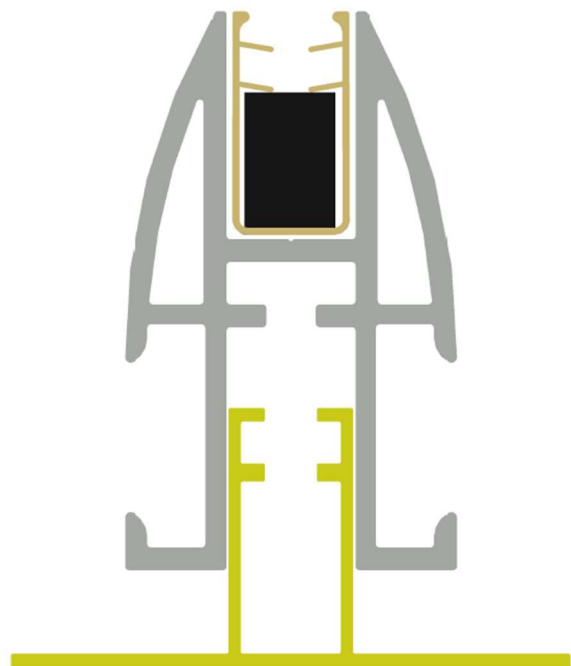
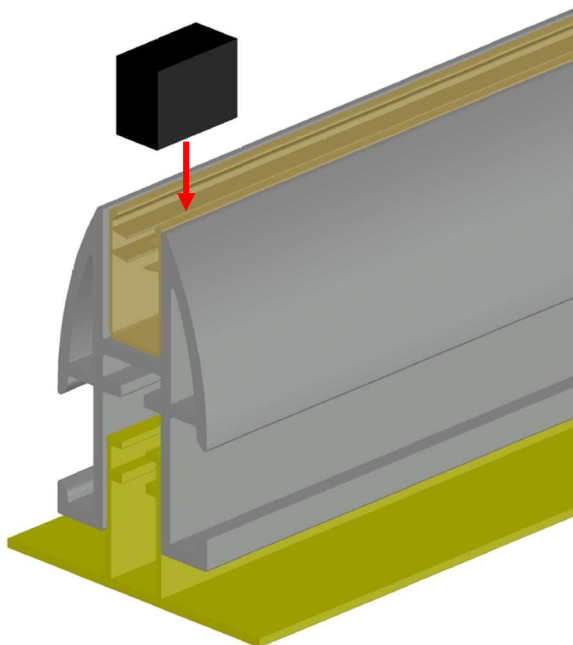


Fig. 29



Nxtwall Installation Instruction

Glass Measuring: 90° Seamless Corner

37. Measure for the Height of the Glass. Fig. 30.

- a. Glass Height: Visual Opening + 1"

38. Measure for the Width. The width measurement is dependent on the quantity of the panes on the partition.

- a. For partitions with a SINGLE PANE of glass. Measure from Wall-Start to the Inside Corner and Add 1/2". Fig. 31.
- b. For partitions with MULTIPLE PANES of glass. Measure from the Wall-Start to the Outside Corner and Add 1/2". Fig. 32.

Fig. 30

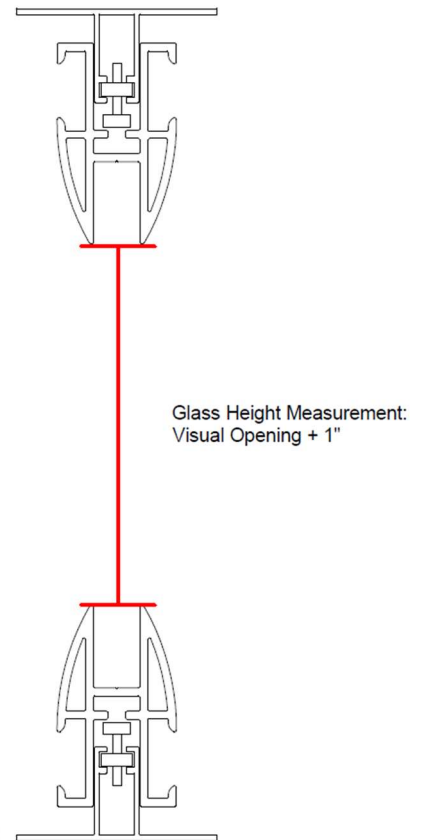


Fig. 31

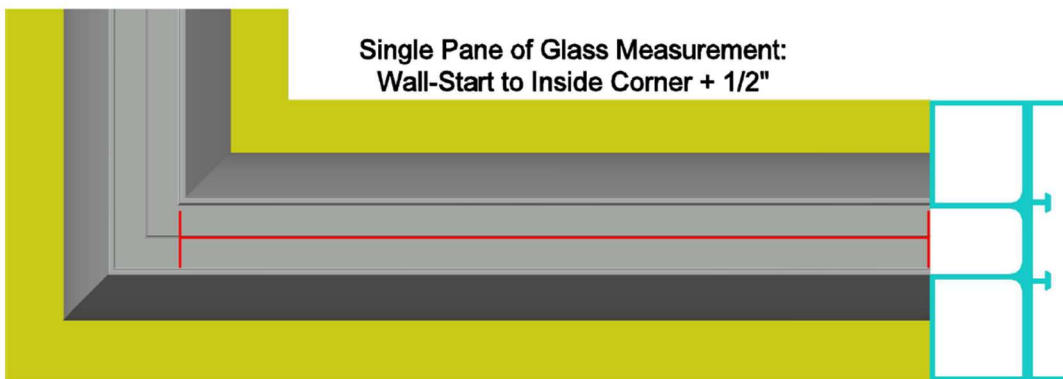
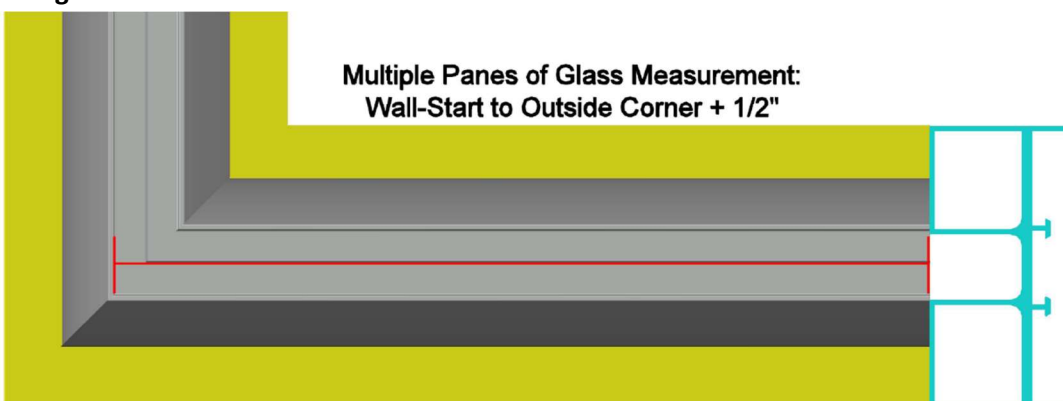


Fig. 32



Nxtwall Installation Instruction

Glass Installation: Single Pane of Glass

39. When installing a Single Pane of Glass in a partition on a 90° Seamless Corner the glass will need to be brought in from the outside (long side) of the View Track.

Fig. 33.

- a. Due to the width measurement the glass is too wide to install from the inside (short side).

40. Install the glass into the opening. Fig. 34.

- a. To install the glass, lift the glass into the ceiling track first. Then, bring the glass over the floor track. Lastly, place the glass on the shims in the floor track.
- b. To assist with the installation of the glass spray glass cleaner onto the glass channel to act as a lubricant between the glass and the glass channel.

41. Slide the glass into the Wall-Start. This will allow space for the other pane(s) of glass to be installed into the partition on the opposite side. Fig. 35.

Fig. 33

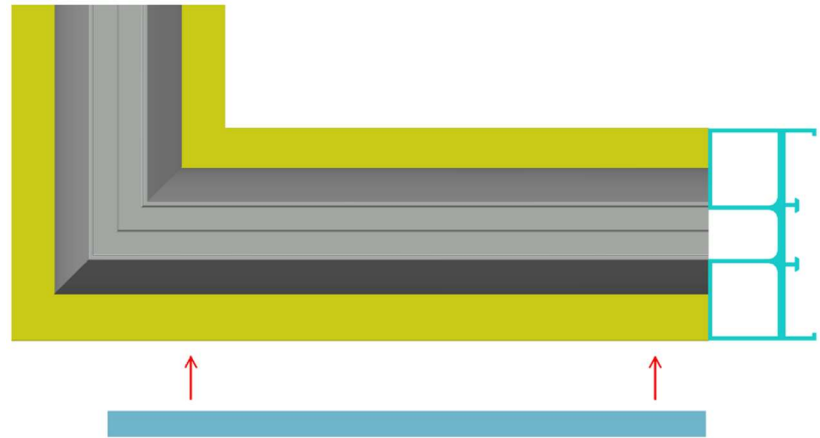


Fig. 34

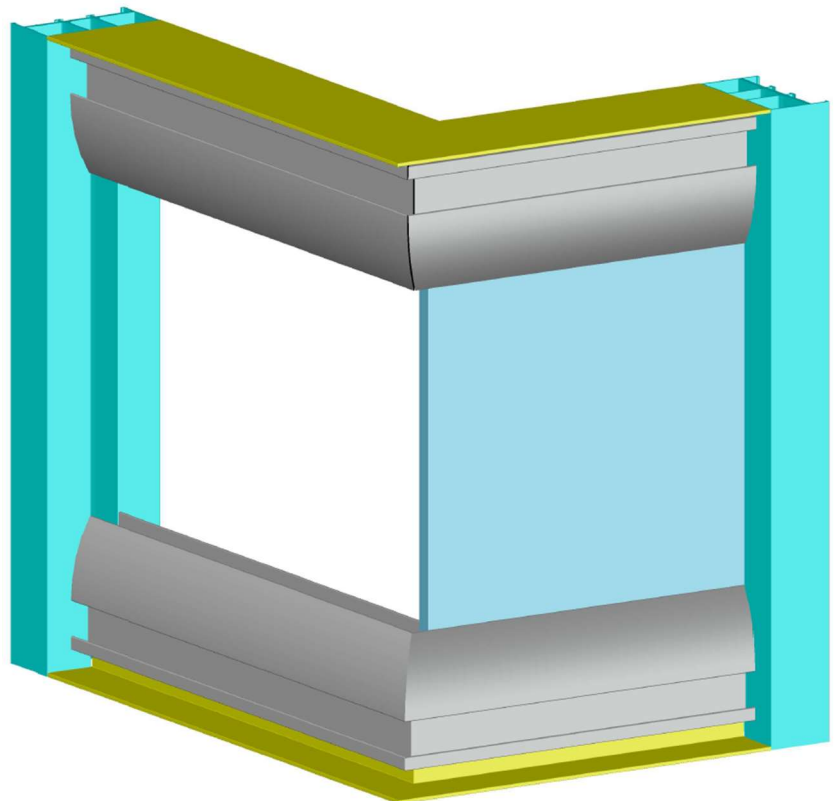


Fig. 35



Nxtwall Installation Instruction

Glass Installation: Multiple Panes of Glass

42. When installing Multiple Panes of glass in one partition for a 90 Seamless Corner the glass can be brought in from the inside or the outside. Fig. 36.

43. Install one pane of glass into the opening.

- a. To install the glass, lift the glass into the ceiling track first. Then, bring the glass over the floor track. Lastly, place the glass on the shims in the floor track.
- b. To assist with the installation of the glass spray glass cleaner onto the glass channel to act as a lubricant between the glass and the glass channel.

44. Slide the glass into the Wall-Start. This will allow space for the other pane(s) of glass to be installed into the partition. Fig. 37 and 38.

Fig. 36

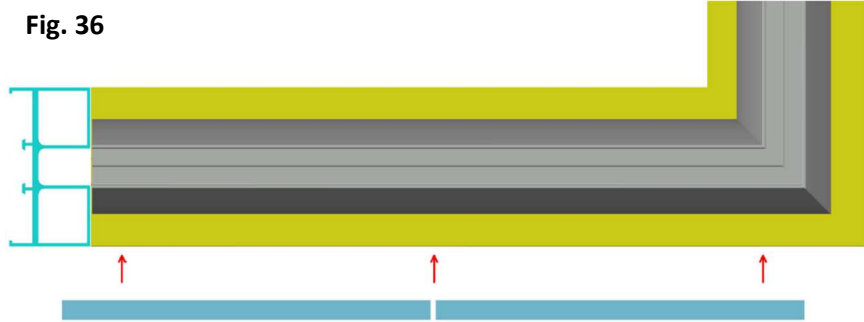


Fig. 37

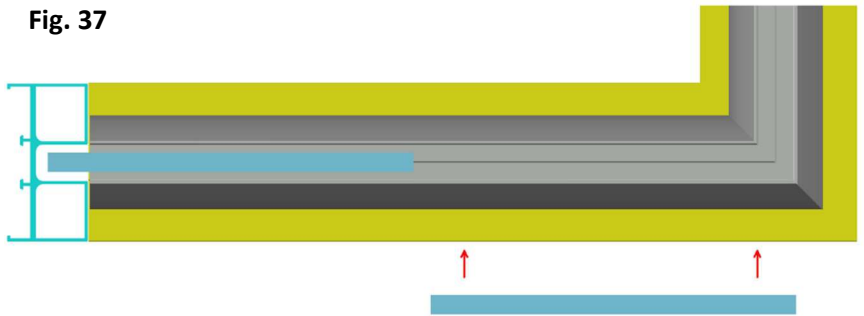
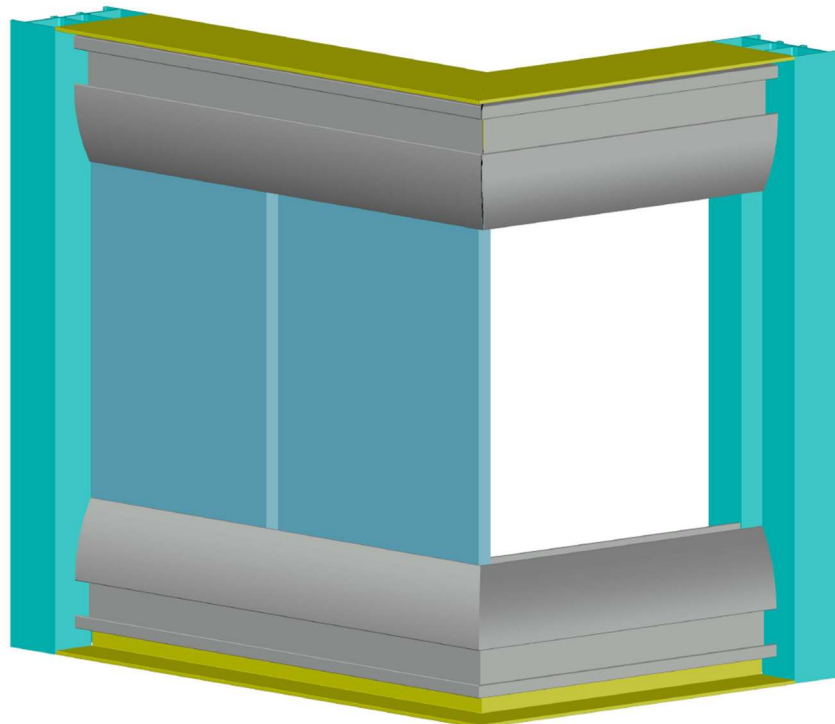


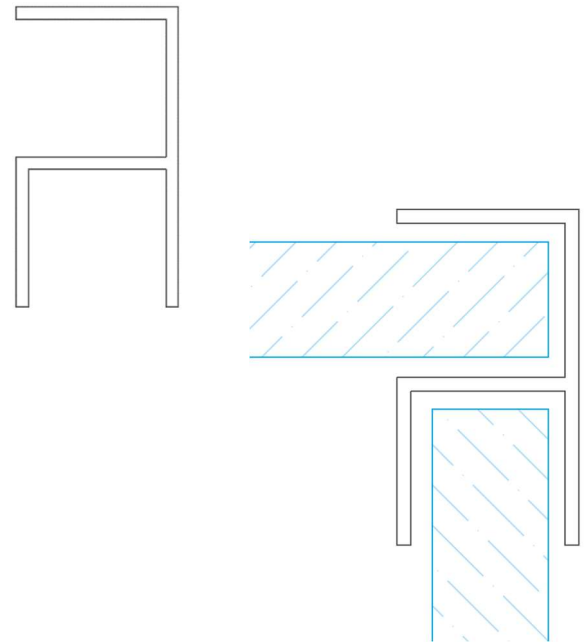
Fig. 38



Polycarbonate Installation: 90° Seamless Corner

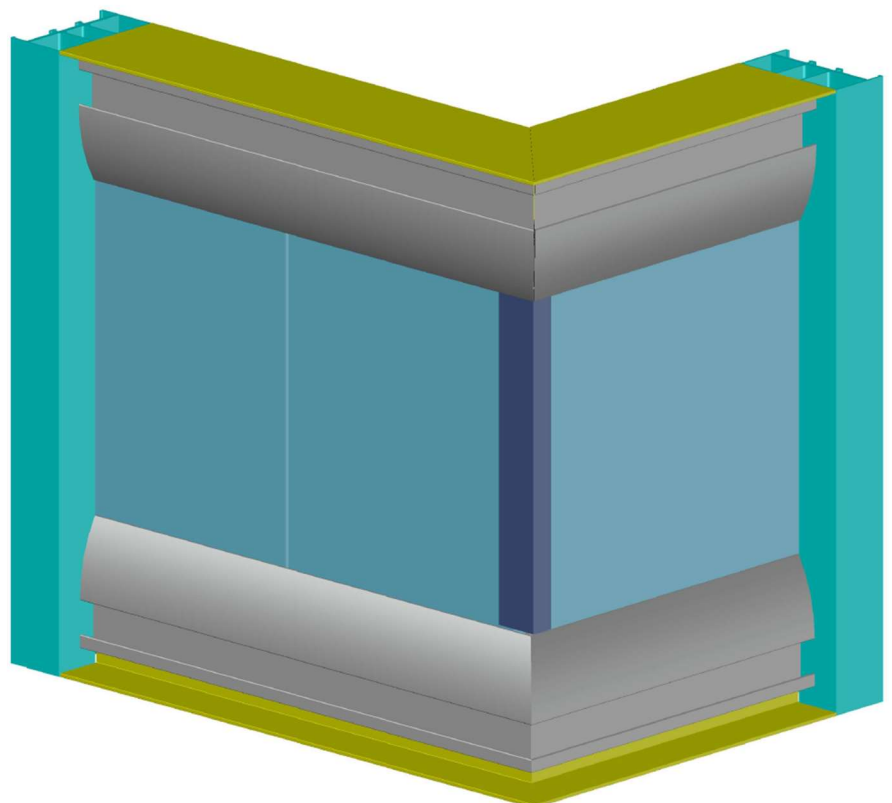
45. At the Seamless Corner a 90° Polycarbonate Strip will be used to connect the pieces of glass. Fig. 39
46. To measure for the Polycarbonate Strip measure from the View Track at the ceiling to the View Track at the floor. This will be an exact measurement.
 - a. Cut the polycarbonate using a hack saw.
47. To install the polycarbonate strip bring each piece of glass close to the corner. Press the polycarbonate strip onto one piece of glass. Move the glass with the polycarbonate strip to align with the other piece of glass and bring the glass into the polycarbonate strip. Fig. 40.
48. Installation complete.
 - a. If there are multiple panes of glass make sure to install the H-Polycarbonate Strip between the panes of glass.

Fig. 39
90° Polycarbonate Strip



Glass Installed

Fig. 40



Nxtwall Installation Instruction



Phone: (269) 488-2752

01/2024
